



Model No.	BL-2800
Item Name	Electric Bolt for Frameless Glass Door (5wires)

I. Fail Safe: Adjustable fail-safe (power to lock)

Adjustable to fail-secure (power to open) for high security places. Adjustable to fail-safe (power to lock) for public places. Adjustable to fail-secure (power to open) to achieve long unlock state function.

Face Plate	146Lx43W24H(mm)
Bolt	12mm(Throw) x 14mm(Diameter)

II. Built-in oval cylinder as unlocking device

Use of oval cylinder to unlock when power cut occurred or during emergency
Built-in photo couplers door open push button input contact. Door will lock again automatically when door is not open within 5 seconds

III. Bolt lock Suitable For Fully Frame less Glass door

Fail Safe/Fail secure	power to lock/power to open
Voltage	DC12V
Start Current	900mA
Face place material	Stainless steel

IV. Bolt lock with timer to set

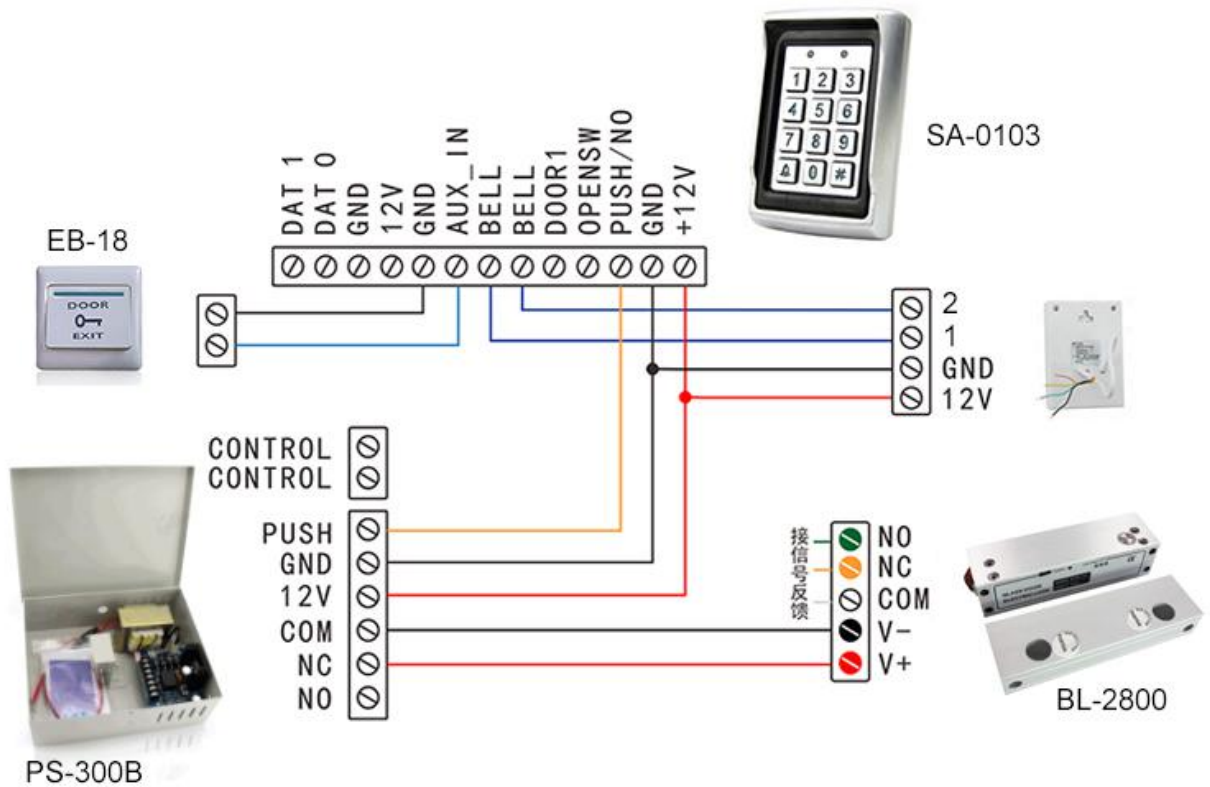
With a delay timer,When you swiping your card and do not open the door,the bolt lock will lock itself with in 0/2.5/5S

V. Four line electric bolt lock with door state detection output point

6 line magnetic output with LED detection when door opened,the detection point get red,when door closed,the detection light turned off.NO/COM Detection point advise you working status.



2: Dimension for BL-2800





1

Aluminum alloy

Power off the open circuit design, once locked In addition to power or the lock tongue can not

2



3

To prevent illegal insert fragment magnet lock, after the lock is not affected by External disturbance



4

Hex socket screw



5

Time delay with 0/3/6Second

